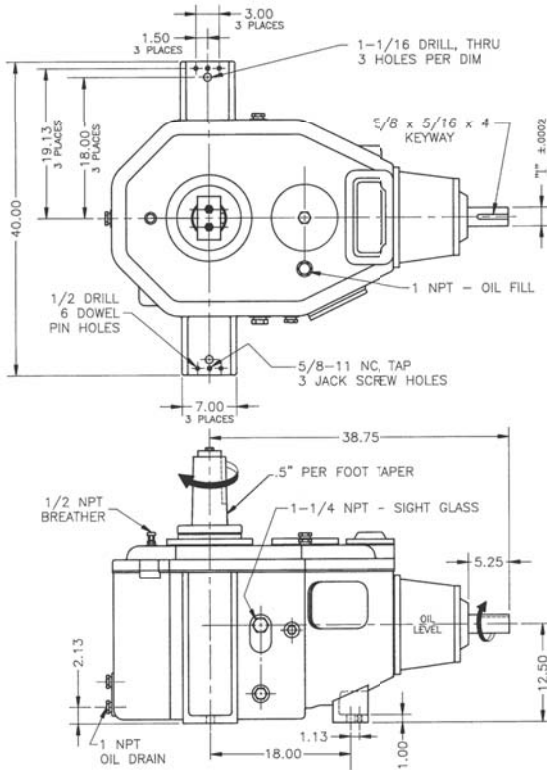
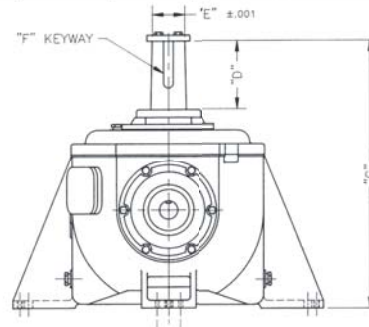


Model A34 — A36 — A38



Model No.	Input RPM	Gear Ratio	Fan RPM	Service Factor	Horsepower Rating
A34	1750	8.85	198	2.0	180
	1750	10.28	170	2.0	180
	1750	11.18	157	2.0	180
	1750	13.00	135	2.0	180
A36	1750	9.64	182	2.0	250
	1750	10.83	162	2.0	230
	1750	11.55	152	2.0	220
	1750	12.98	135	2.0	220
	1750	14.84	118	2.0	200
A38	1750	11.44	153	3.0	250

Model	"C"	"D"	"E"	"F" Keyway	"I"
A34	34.13	8.75	4.160	1/4 x 3/8 x 6	2.3750
A36	33.94	7.88	6.227	1/2 x 3/4 x 7	2.6250
A38	33.94	7.88	6.227	1/2 x 3/4 x 7	2.6250

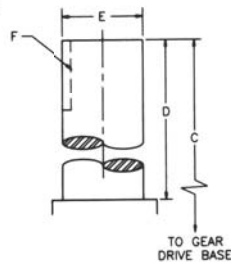


Straight Output Shaft Information

All AMARILLO "A" series right angle cooling tower drives may be furnished, upon request, with a cylindrical output shaft. The most common cylindrical shaft diameter is shown in the following table, however, other shaft diameters can be supplied within engineering limits. When requesting a cylindrical shaft the following information must be provided before an order can be accepted.

Model	Dia.	Model	Dia.
A20	2"	A32	4 1/2"
A22	2 5/8"	A34	5"
A27	3"	A36	5"
		A38	5"

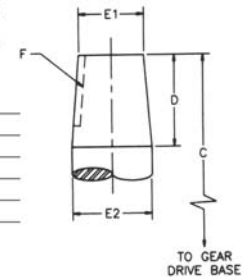
Length of shaft (D) _____
 Shaft diameter (E) _____
 Keyway size (F) _____
 Overall Height (C) _____



Tapered Output Shaft Information

All AMARILLO "A" series right angle cooling tower drives may be furnished, as standard, with the tapered output shaft shown in the drawing. On rare occasions the gear drive being replaced may have a different output shaft taper. Amarillo Gear Company will provide a matching shaft when the following information (or shaft drawing) is provided. This information is required before an order can be accepted.

Length of taper (D) _____
 Small end diameter (E1) _____
 Large end diameter (E2) _____
 Keyway size (F) _____
 Keyway parallel to centerline or taper _____
 Overall Height (C) _____



Weights and Shipping Dimensions

Model	Net Weight (lbs)	Weight With Export Boxing (lbs)	Export Box Dimensions (LxWxH)(in)
A32	1575	1720	55 x 36 x 40
A34	2225	2405	58 x 46 x 40
A36	2245	2425	58 x 46 x 40
A38	2300	2480	58 x 46 x 40