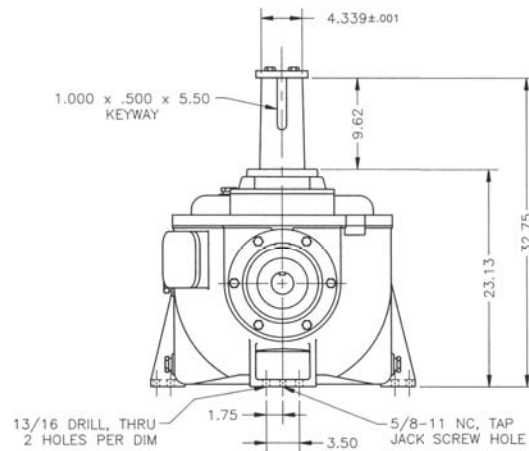


Model A32

Input RPM	Gear Ratio	Fan RPM	Service HP Rating (2.0 Service Factor)
1750	6.47	270	160
1750	7.89	222	160
1750	8.80	199	160
1750	10.16	172	160
1750	11.18	157	160
1750	12.93	135	160

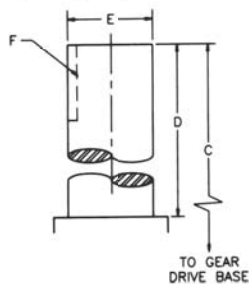


Straight Output Shaft Information

All AMARILLO "A" series right angle cooling tower drives may be furnished, **upon request**, with a cylindrical output shaft. The most common cylindrical shaft diameter is shown in the following table, however, other shaft diameters can be supplied within engineering limits. When requesting a cylindrical shaft the following information must be provided before an order can be accepted.

Model	Dia.	Model	Dia.
A20	2"	A32	4 1/2"
A22	2 1/4"	A34	5"
A27	3"	A36	5"
		A38	5"

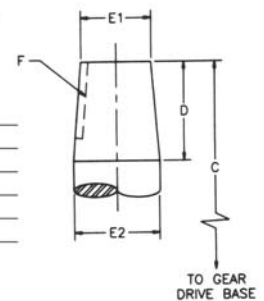
Length of shaft (D) _____
 Shaft diameter (E) _____
 Keyway size (F) _____
 Overall Height (C) _____



Tapered Output Shaft Information

All AMARILLO "A" series right angle cooling tower drives may be furnished, **as standard**, with the tapered output shaft shown in the drawing. On rare occasions the gear drive being replaced may have a different output shaft taper. Amarillo Gear Company will provide a matching shaft when the following information (cr shaft drawing) is provided. This information is required before an order can be accepted.

Length of taper (D) _____
 Small end diameter (E1) _____
 Large end diameter (E2) _____
 Keyway size (F) _____
 Keyway parallel to centerline or taper _____
 Overall Height (C) _____



Weights and Shipping Dimensions

Model	Net Weight (lbs)	Weight With Export Boxing (lbs)	Export Box Dimensions (LxWxH)(in)
A32	1575	1720	55 x 36 x 40