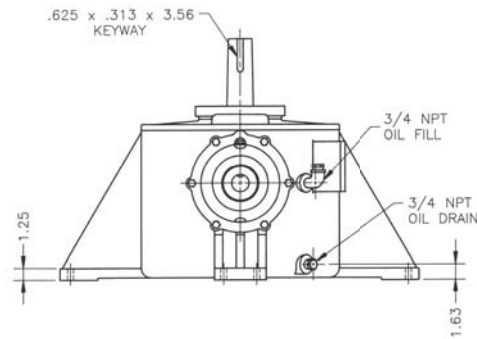
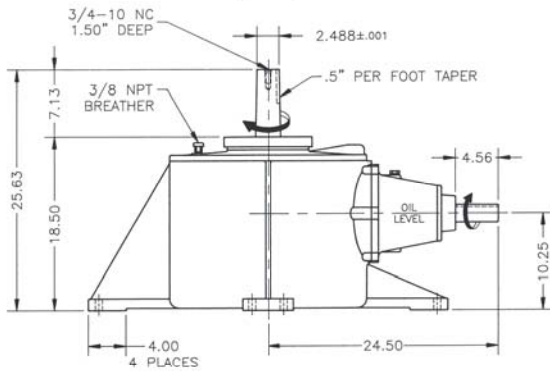


Model A27

| Input RPM | Gear Ratio | Fan RPM | Service HP Rating (2.0 Service Factor) |
|-----------|------------|---------|--|
| 1750 | 5.77 | 303 | 80 |
| 1750 | 7.71 | 227 | 75 |
| 1750 | 8.66 | 202 | 60 |
| 1750 | 9.83 | 178 | 40 |

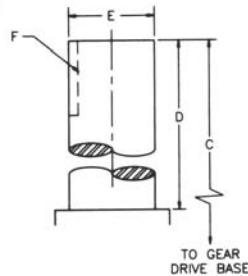


Straight Output Shaft Information

All AMARILLO "A" series right angle cooling tower drives may be furnished, **upon request**, with a cylindrical output shaft. The most common cylindrical shaft diameter is shown in the following table, however, other shaft diameters can be supplied within engineering limits. When requesting a cylindrical shaft the following information must be provided before an order can be accepted.

| Model | Dia. | Model | Dia. |
|-------|--------|-------|--------|
| A20 | 2" | A32 | 4 1/2" |
| A22 | 2 5/8" | A34 | 5" |
| A27 | 3" | A36 | 5" |
| | | A38 | 5" |

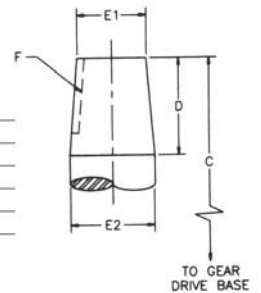
Length of shaft (D) _____
 Shaft diameter (E) _____
 Keyway size (F) _____
 Overall Height (C) _____



Tapered Output Shaft Information

All AMARILLO "A" series right angle cooling tower drives may be furnished, **as standard**, with the tapered output shaft shown in the drawing. On rare occasions the gear drive being replaced may have a different output shaft taper. Amarillo Gear Company will provide a matching shaft when the following information (or shaft drawing) is provided. This information is required before an order can be accepted.

Length of taper (D) _____
 Small end diameter (E1) _____
 Large end diameter (E2) _____
 Keyway size (F) _____
 Keyway parallel to centerline or taper _____
 Overall Height (C) _____



Weights and Shipping Dimensions

| Model | Net Weight (lbs) | Weight With Export Boxing (lbs) | Export Box Dimensions (LxWxH)(in) |
|-------|------------------|---------------------------------|-----------------------------------|
| A27 | 840 | 940 | 36 x 40 x 30 |