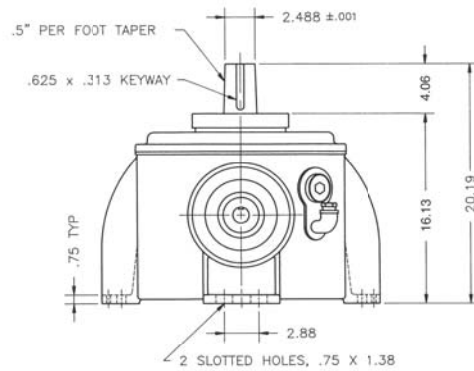


### Model A22

Input RPM	Gear Ratio	Fan RPM	Service HP Rating (2.0 Service Factor)
1750	3.45	507	70
1750	4.10	427	70
1750	4.56	389	70
1750	5.11	342	60
1750	5.50	318	60
1750	6.12	286	53
1750	6.50	267	53
1750	7.33	239	47

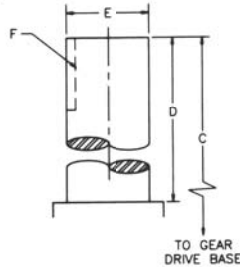


### Straight Output Shaft Information

All AMARILLO "A" series right angle cooling tower drives may be furnished, **upon request**, with a cylindrical output shaft. The most common cylindrical shaft diameter is shown in the following table, however, other shaft diameters can be supplied within engineering limits. When requesting a cylindrical shaft the following information must be provided before an order can be accepted.

Model	Dia.	Model	Dia.
A20	2"	A32	4 1/2"
A22	2 3/8"	A34	5"
A27	3"	A36	5"
		A38	5"

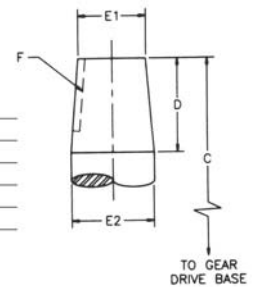
Length of shaft (D) \_\_\_\_\_  
 Shaft diameter (E) \_\_\_\_\_  
 Keyway size (F) \_\_\_\_\_  
 Overall Height (C) \_\_\_\_\_



### Tapered Output Shaft Information

All AMARILLO "A" series right angle cooling tower drives may be furnished, **as standard**, with the tapered output shaft shown in the drawing. On rare occasions the gear drive being replaced may have a different output shaft taper. Amarillo Gear Company will provide a matching shaft when the following information (or shaft drawing) is provided. This information is required before an order can be accepted.

Length of taper (D) \_\_\_\_\_  
 Small end diameter (E1) \_\_\_\_\_  
 Large end diameter (E2) \_\_\_\_\_  
 Keyway size (F) \_\_\_\_\_  
 Keyway parallel to centerline or taper \_\_\_\_\_  
 Overall Height (C) \_\_\_\_\_



### Weights and Shipping Dimensions

Model	Net Weight (lbs)	Weight With Export Boxing (lbs)	Export Box Dimensions (LxWxH)(in)
A22	440	500	36 x 23 x 34