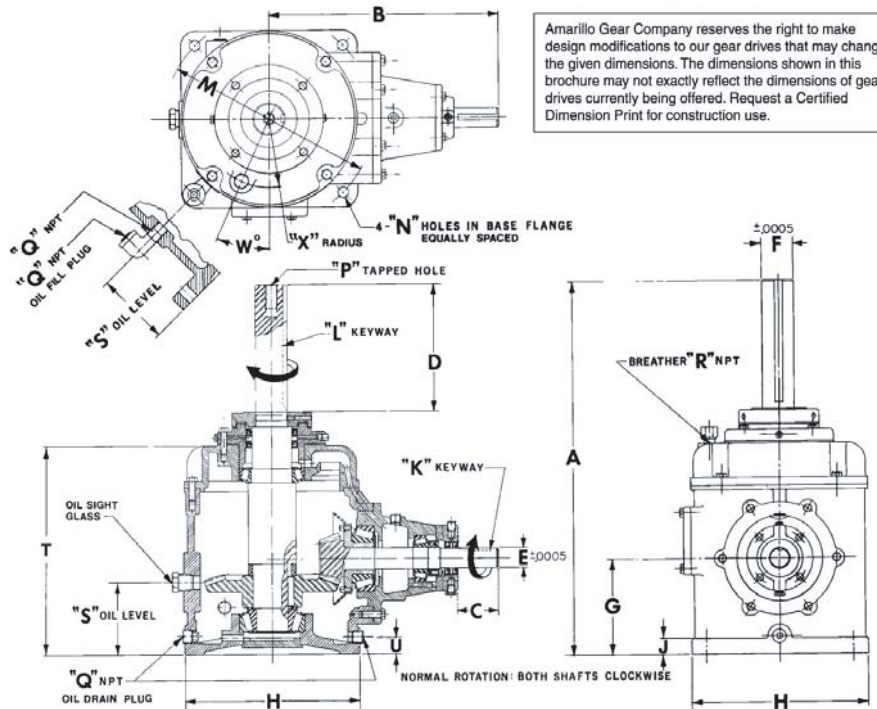


## Amarillo Single Reduction Gear Boxes

### 65 Single Reduction



Amarillo Gear Company reserves the right to make design modifications to our gear drives that may change the given dimensions. The dimensions shown in this brochure may not exactly reflect the dimensions of gear drives currently being offered. Request a Certified Dimension Print for construction use.

A	B	C	C with non-reverse	D	E	F	G	H	J	K	L	M	N
17 3/4	10 7/8	2 1/4	2 1/4	6	0.999	1.749	5	10	5/8	1/4 x 1/8	3/8 X 3/16	9 1/8	13/16

P	Q	R	S	T	U	W	X	WEIGHT
3/4 -10NC	1/2	1/2	5	9 1/2	7/8	15	3 1/4	90

#### Exact Ratio

2	2.5	3	3.3	3.5	3.8	4	4.3	4.5	4.8	5	5.5	6	6.5	7	7.5	8	8.5	9	9.5
2.00	2.47	2.94	3.27	3.54	3.92			4.55		4.90									

Domestic Shipping Weight (lbs)	Weight with Export Boxing (lbs)	Export Box Dimensions (L, x W x H) (in)	Vertical Shaft Down Thrust Capacity (pounds)	1500	Thrust ratings vary greatly depending upon the transmitted power and the vertical shaft speed. The rating to the left are the axial loads that can be applied to the fan shaft which will always result in a calculated bearing life greater than 100,000 hours. These ratings are based on the worse case from the power rating tables. All models can be supplied with larger thrust bearings or special bearing arrangements. Contact us when the fan loading conditions or the bearing life requirements cannot be satisfied with the ratings from the table.
100	135	22 x 14 x 21			

#### Service Horsepower Ratings (Service Factor =2.0) RATIO\*

Input RPM	2	2.5	3	3.3	3.5	3.8	4	4.3	4.5	4.8	5	5.5	6	6.5	7	7.5	8	8.5	9	9.5
1750	25	25	20	18	17			15			12				10					
1450	21	21	17	15	14			12			10				8					
1160	17	17	13	12	11			10			8				7					

\*Choose models & Ratios in outlined area for standard price and delivery. Contact us for all others.



PROJECT NAME AND LOCATION: \_\_\_\_\_  
 MODEL NO.: \_\_\_\_\_  
 DWG NAME: \_\_\_\_\_  
 DRAWING NUMBER: A-100 JOB NUMBER: \_\_\_\_\_ SHEET 1 of 1 REV 0  
 SCALE: NO SCALE COMMENTS: \_\_\_\_\_

THIS DRAWING IS THE SOLE PROPERTY OF COOLING TOWER DEPOT INC. USE SHALL BE LIMITED TO THE PROJECT FOR WHICH IT IS INTENDED. NO REPRODUCTION SHALL BE MADE NOR SHALL THIS INFORMATION BE MADE AVAILABLE TO THIRD PARTIES WITHOUT THE PRIOR WRITTEN CONSENT BY COOLING TOWER DEPOT INC. ANY AND ALL PROPRIETARY RIGHTS TO THIS INFORMATION AND DESIGN ARE THE SOLE PROPERTY OF COOLING TOWER DEPOT INC.

REV	DESCRIPTION	DESIGNED BY	CHECKED BY	APPROVED BY	DATE
0					
1					
2					
3					
4					

**COOLING TOWER DEPOT, INC**  
 651 CORPORATE CIRCLE, STE. 206  
 GOLDEN, CO 80401  
 720-746-1234

DWG NUMBER: A-100  
 SHEET: 1 of 1  
 SCALE: NO SCALE