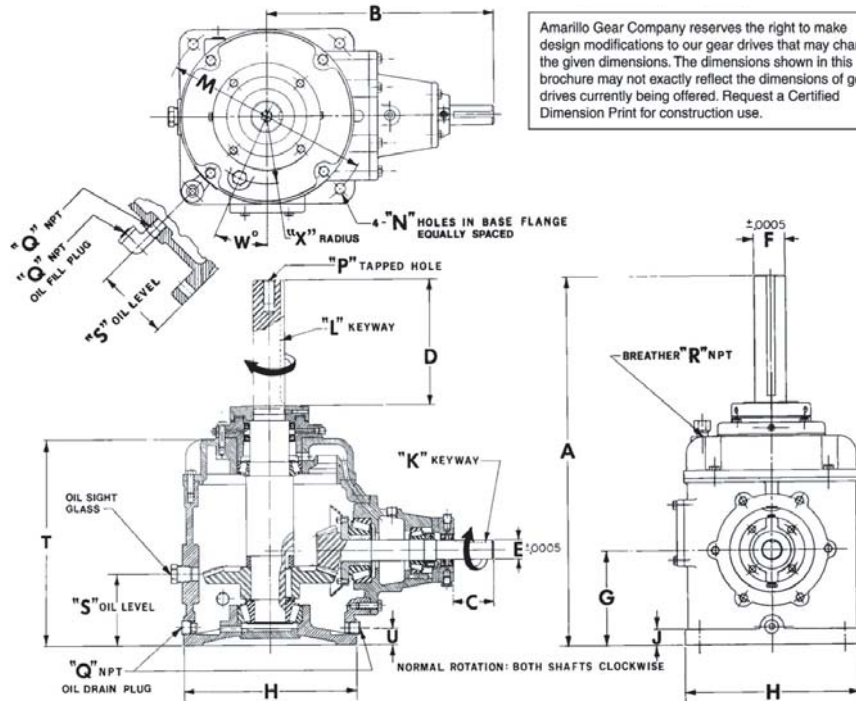


Amarillo Single Reduction Gear Boxes

135 Single Reduction



Amarillo Gear Company reserves the right to make design modifications to our gear drives that may change the given dimensions. The dimensions shown in this brochure may not exactly reflect the dimensions of gear drives currently being offered. Request a Certified Dimension Print for construction use.

A	B	C	C with non-reverse	D	E	F	G	H	J	K	L	M	N
29 5/8	21	3 3/4	2 5/16	9	1.874	2.624	8	16	1 1/4	3/8 X 3/16	5/8 X 5/16	20	13/16

P	Q	R	S	T	U	W	X	WEIGHT
3/4 -10NC	3/4	1/2	6	18 1/8	1 3/8	54	5	500

Exact Ratio																			
2	2.5	3	3.3	3.5	3.8	4	4.3	4.5	4.8	5	5.5	6	6.5	7	7.5	8	8.5	9	9.5
			3.50	3.73	4.00	4.25	4.50	4.73	5.00	5.50	6.00	6.56	7.00	7.50	8.00	8.57	9.00		

Domestic Shipping Weight (lbs)	Weight with Export Boxing (lbs)	Export Box Dimensions (L, x W x H) (in)	Vertical Shaft Down Thrust Capacity (pounds)	2500	Thrust ratings vary greatly depending upon the transmitted power and the vertical shaft speed. The rating to the left are the axial loads that can be applied the fan shaft which will always result in a calculated bearing life greater than 100,000 hours. These ratings are based on the worse case from the power rating tables. All models can be supplied with larger thrust bearings or special bearing arrangements. Contact us when the fan loading conditions or the bearing life requirements cannot be satisfied with the ratings from the table.
530	550	36 x 23 x 34			

Service Horsepower Ratings (Service Factor =2.0) RATIO*

Input RPM	2	2.5	3	3.3	3.5	3.8	4	4.3	4.5	4.8	5	5.5	6	6.5	7	7.5	8	8.5	9	9.5
1750					120	117	110	100	93	88	83	71	65	59	48	43	42	35	30	
1450					99	97	91	83	77	73	69	59	54	49	40	36	35	29	25	
1160					80	78	73	66	62	58	55	47	43	39	32	29	28	23	20	

*Choose models & Ratios in outlined area for standard price and delivery. Contact us for all others.

	PROJECT NAME AND LOCATION:	THIS DRAWING IS THE SOLE PROPERTY OF COOLING TOWER DEPOT INC. USE SHALL BE LIMITED TO THE PROJECT FOR WHICH IT IS INTENDED. NO REPRODUCTION SHALL BE MADE NOR SHALL THIS INFORMATION BE MADE AVAILABLE TO THIRD PARTIES WITHOUT THE PRIOR WRITTEN CONSENT BY COOLING TOWER DEPOT INC. ANY AND ALL PROPRIETARY RIGHTS TO THIS INFORMATION AND DESIGN ARE THE SOLE PROPERTY OF COOLING TOWER DEPOT INC.										COOLING TOWER DEPOT, INC 651 CORPORATE CIRCLE, STE. 206 GOLDEN, CO 80401 720-746-1234	SHEET 1 of 1 SCALE NO SCALE A-100
	MODEL NO.:	REVISIONS											
	DWG NAME:	REV	DESCRIPTION	DESIGNED BY:	CHECKED BY:	APPROVED BY:	DATE:						
	DRAWING NUMBER: A-100	JOB NUMBER:	SHEET 1 of 1	REV 0									