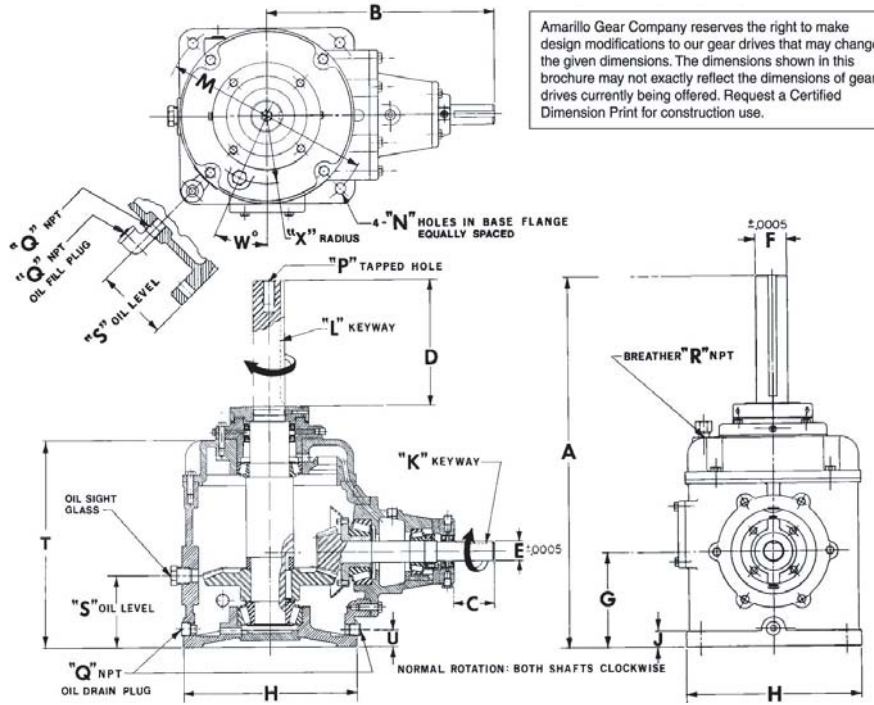


110 Single Reduction



Amarillo Gear Company reserves the right to make design modifications to our gear drives that may change the given dimensions. The dimensions shown in this brochure may not exactly reflect the dimensions of gear drives currently being offered. Request a Certified Dimension Print for construction use.

A	B	C	C with non-reverse	D	E	F	G	H	J	K	L	M	N
26 1/2	17 5/8	3 5/16	2 1/16	8 1/2	1.499	2.374	7	13 1/2	1 1/8	3/8 X 3/16	5/8 X 5/16	16	13/16

P	Q	R	S	T	U	W	X	WEIGHT
3/4 -10NC	3/4	1/2	5 1/2	15 5/8	1 7/16	0	4 5/8	325

Exact Ratio																			
2	2.5	3	3.3	3.5	3.8	4	4.3	4.5	4.8	5	5.5	6	6.5	7	7.5	8	8.5	9	9.5
			3.46	3.77	4.00	4.25	4.45	4.73	5.00	5.50	6.00	6.56	7.00	7.50	8.00				

Domestic Shipping Weight (lbs)	Weight with Export Boxing (lbs)	Export Box Dimensions (L x W x H) (in)	Vertical Shaft Down Thrust Capacity (pounds)	2650	Thrust ratings vary greatly depending upon the transmitted power and the vertical shaft speed. The rating to the left are the axial loads that can be applied the fan shaft which will always result in a calculated bearing life greater than 100,000 hours. These ratings are based on the worse case from the power rating tables. All models can be supplied with larger thrust bearings or special bearing arrangements. Contact us when the fan loading conditions or the bearing life requirements cannot be satisfied with the ratings from the table.
350	395	29 x 19 x 34			

Service Horsepower Ratings (Service Factor =2.0) RATIO*

Input RPM	2	2.5	3	3.3	3.5	3.8	4	4.3	4.5	4.8	5	5.5	6	6.5	7	7.5	8	8.5	9	9.5
1750					75	74	72	71	69	64	60	46	40	33	30	25	24			
1450					62	61	60	59	57	53	50	38	33	27	25	21	20			
1160					50	49	48	47	46	42	40	30	27	22	20	17	16			

*Choose models & Ratios in outlined area for standard price and delivery. Contact us for all others.